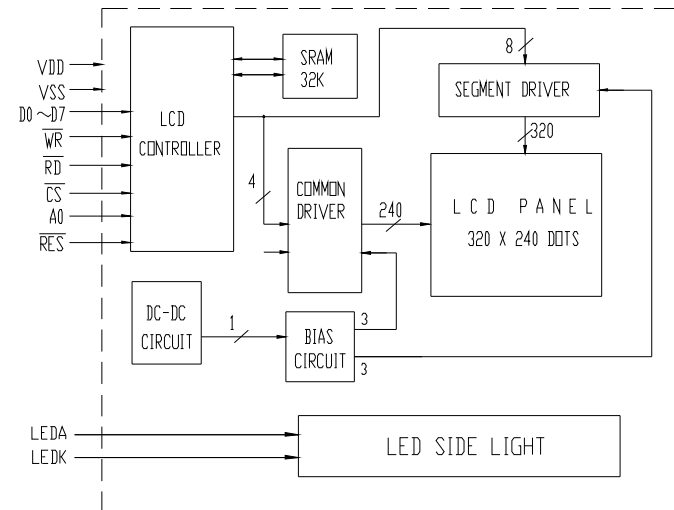


CN1 AND CN2

1	2	3	4	5	6	7	8	9
VSS	VDD	NC	WR	RD	CS	A0	RES	DO
10	11	12	13	14	15	16	17	18
D1	D2	D3	D4	D5	D6	D7	LEDA	LEDK



NOTES:

- 1.DISPLAY TYPE: STN/NEGATIVE/BLUE/TRANSMISSIVE
2. OPERATING TEMP: -20°C~70°C
STORAGE TEMP : -30°C~80°C
3. 1/240 DUTY, 1/17 BIAS, VLCD=23V, VDD=5V
4. BACKLIGHT: WHITE LED, IF=95~115mA VF=5V
5. RoHS COMPLIANT

CUSTOMER APVL		DATE	
DRAWN		TOLERANCE: X.X ±0.5 X.XX ±0.3 ANGULAR: ±1/4°	TITLE
DFTG CHK			M1320240H2
ENGR CHK		UNIT	MODEL
APPROVAL		mm	
MULTI-INNO TECHNOLOGY CO.,LTD.			DWG NO
			PAGE 1/1